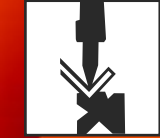
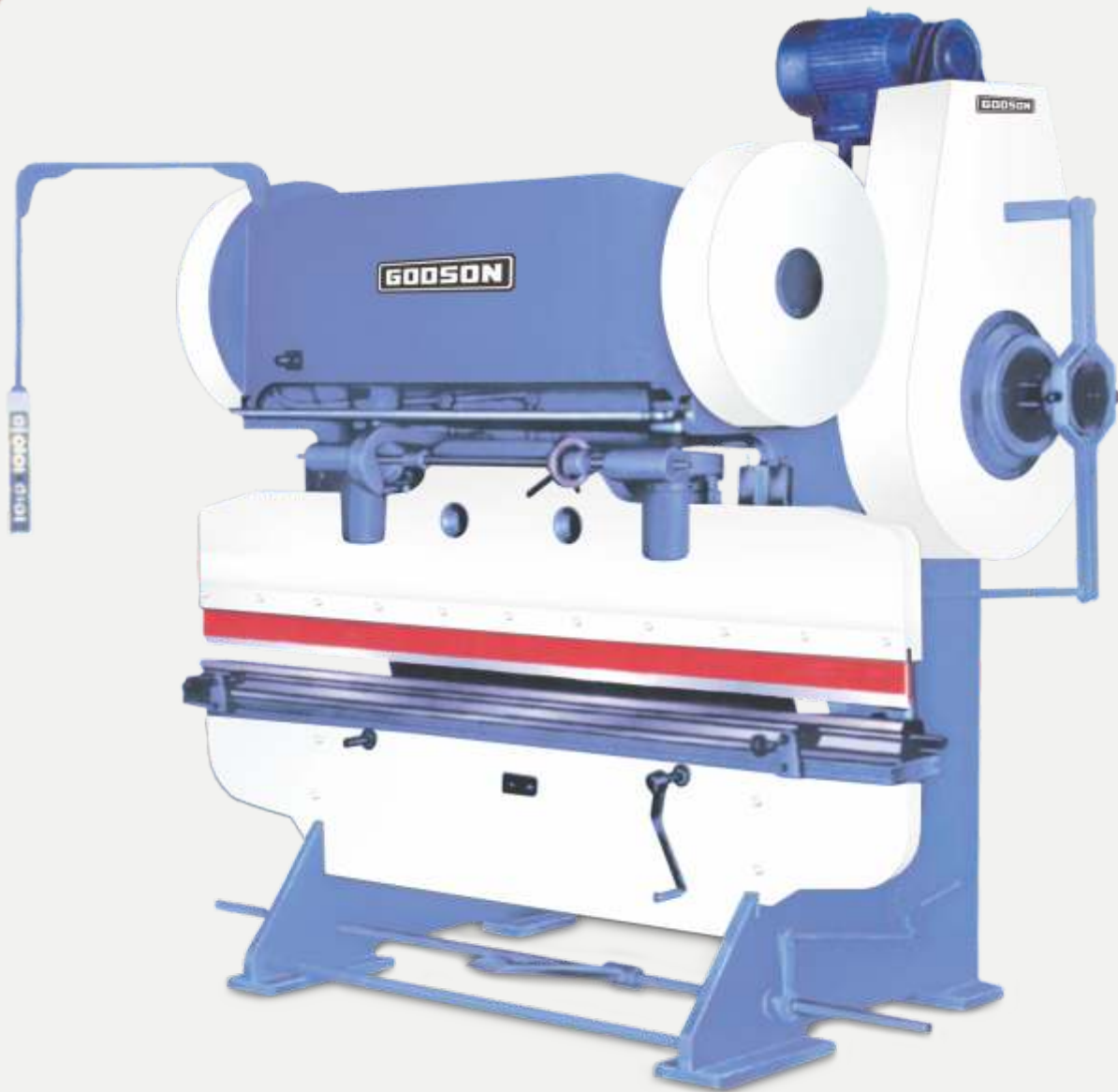


Godson Ultimate Bending Solutions
An ISO 9001 : 2008 Certified Company

®

GODSON

PRESS BRAKE MACHINE
(Mechanical / Hydraulic)



GODSON

Godson bending systems pvt. ltd.

ATIKA IND. AREA, MARG NO. 1, DHEBAR ROAD (SOUTH), RAJKOT-360 002 (INDIA).
Ph.: +91- 281- 2361467, 2361449 • Fax: +91- 281- 2361873
Website: www.godson-india.com • E-mail: godsonindia@hotmail.com





The latest range of mechanical power press brakes based on years of experience

SALIENT FEATURES

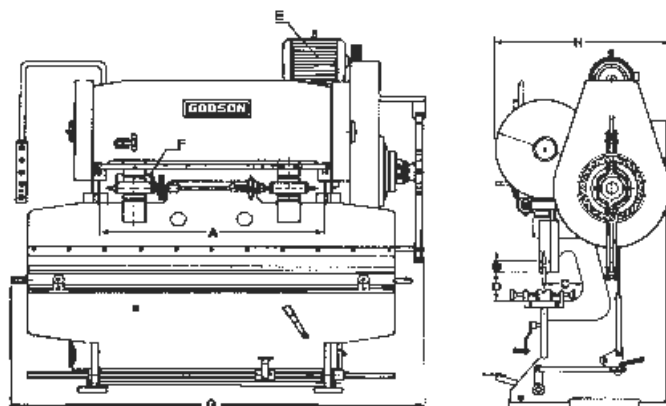
- ◆ All steel body m.s. plates.
- ◆ Crank shafts en-8-9 material.
- ◆ Friction clutch with superior quality plates.
- ◆ Rigid heavy adjustable brakes.
- ◆ Motorised ram adjustment.
- ◆ All gunmetal bushes from 85 : 5 : 5
- ◆ Punch & die block made out of alloy steel.
- ◆ Balance load wheel.
- ◆ Electric panel box with L & T or siemens make components.
- ◆ Hand lubricating systems.

STANDARD ACCESSORIES

- ◆ Standard "V" block & punch.
- ◆ Back gauge.
- ◆ Mounting brackets.
- ◆ Fly wheel & gear guards.
- ◆ Stroke counting meter.
- ◆ Handle for back gauge.
- ◆ Tomy peddle.
- ◆ Foot peddle.

EXTRA ACCESSORIES

OTHER THAN ABOVE ACCESSORIES OR EQUIPMENTS LIKE MAIN ELECTRIC MOTOR. RAM ADJUSTMENT MOTOR, ELECTRIC PANEL BOX, SPECIAL TOOLS, DIE & PUNCHES, AUTO LUBRICATING SYSTEM & MOTORISED BACK GAUGE & PNEUMATIC CLUTCH ARE AT EXTRA COST.



TECHNICAL SPECIFICATION

MODELS		GPB-1	GPB-2	GPB-3	GPB-4	GPB-5	GPB-6	GPB-7
CAPACITY AT MID STROKE [TONNE]		25	40	60	80	100	140	160
BENDING CAPACITY (LENGTH X THICKNESS)		1270 x 2.5	1270 x 4.0	1270 x 6.0	1270 x 8.0	-	-	-
		1600 x 2.5	1600 x 3.0	1600 x 5.0	1600 x 6.0	1600 x 8.0	-	-
		2030 x 2.0	2030 x 2.5	2030 x 4.0	2030 x 5.0	2030 x 6.0	2030 x 8.0	2030 x 10.0
		2540 x 1.6	2540 x 2.0	2540 x 3.0	2540 x 4.0	2540 x 5.0	2540 x 6.0	2540 x 8.0
		-	-	3150 x 2.5	3150 x 3.0	3150 x 4.0	3150 x 5.0	3150 x 6.0
CLEAR DISTANCE [A]	1270	760	760	910	910	-	-	-
BETWEEN HOUSING	1600	910	910	910	910	1060	-	-
	2030	1220	1220	1220	1220	1220	1220	1340
	2540	1530	1530	1530	1530	1530	1530	1650
	3150	-	-	1700	1700	1700	1700	1830
STROKE [STANDARD] [B]		50	63	70	76	76	82	82
DEPTH OF THROAT [C]		240	240	250	300	300	300	300
RAM ADJUSTMENT		40	40	50	75	75	75	75
SHUT HEIGHT [DOWN STROKE] [D]		200	225	240	260	300	300	300
MAIN MOTOR [H.P./K.W.]		5 / 3.75	7.5 / 5.5	7.5 / 5.5	10 / 7.5	15 / 11.25	20 / 15	25 / 18.75
RAM ADJU. MOTOR [H.P./K.W.] [E]		1 / 0.75	1 / 0.75	1 / 0.75	1.5 / 1	1.5 / 1	2 / 1.5	2 / 1.5
OVERALL DIMENSION [LENGTH] [G]	1270	1775	1800	1850	1900	-	-	-
	1600	2000	2025	2075	2125	2175	-	-
	2030	2375	2400	2425	2475	2525	2625	2725
	2540	2775	2800	2850	2900	2950	3025	3100
	3150	-	-	3400	3400	3400	3425	3500
	[WIDTH] [H]	1075	1175	1325	1475	1675	1750	1875
	[HEIGHT] [J]	2350	2500	2600	2675	2900	3050	3175
WEIGHT [KG.] APPROX.	1270	1900	2500	3300	4000	-	-	-
	1600	2100	2800	3500	4300	5400	-	-
	2030	2300	3000	3700	4700	6000	8800	11000
	2540	2800	3500	4100	5600	7200	10200	12700
	3150	-	-	4500	6400	8800	11800	14500

1. FOR BETTER PERFORMANCE OF THE MACHINE, DESIGN AND SPECIFICATIONS ARE SUBJECT TO CHANGE WITHOUT NOTICE.
2. FOR SPECIAL MODELS, SPECIFICATIONS ARE AVAILABLE ON REQUEST.
3. ALL DIMENSIONS ARE IN MM.